

## Flush Mount SIP Access Control Intercom with Relay



### Description

Indoor IP intercom designed and manufactured in the USA. With the highest quality two-way audio in the industry, it is perfect for use in schools and universities, warehouses, secure locations, parking garages and retail locations. Using PoE power, installation is simple and secure with optional vandal resistant security screws. Quickly configure each unit using the included Web interface that can be accessed from any device on the local network with an Internet browser. Electrical junction box enclosure not included.

### Features:

- SIP Compliant
- PoE 802.3af enabled (Power-over-Ethernet)
- Environmental noise suppression
- Full-duplex audio with Acoustic Echo Cancellation (AEC)
- Fully configurable via webpages
- Peer-to-peer SIP capable
- Can act as a paging speaker
- On-board relay for door latches
- Mic and speaker volume control

**Job Name:****Model Numbers:****Date:****Location:****Notes:**

## Specifications

- Ethernet: 10/100 Mbps (Can force 10Mbps Full-Duplex)
- Protocol: SIP RFC 3261 Compatible
- Temperature Range: -40°C to +85°C
- Audio Codecs: G.711, G.726 (16/24/32/40kbps), G.722, DVI4 (narrow/HD/Ultra HD), iLBC, Speex, SILK
- Audio Sampling: Up to 48KHz
- Form C (SPDT) Relay Contact Closure Rating: 30VDC or 270VAC, 3A
- Dimensions: 5.11" H x 5.17" W x 2.81" D
- Electrical Box Required: 4 11/16" H x 4 11/16" W x **minimum** 2 1/2" D
- Warranty: 2 years limited
- Regulatory Compliance: FCC Class B
- Power Input: PoE 802.3af

## Model Numbers

Wahsega Labs	Intercom	Mount	SIP	Options	Color	Relay
<b>WL</b>	<b>IC</b>	<b>FLMT</b>	<b>SIP</b>	<b>INB</b>	<b>W</b>	<b>R</b>
Wahsega Labs	Intercom	2GANG = 2-Gang BKMT = Back Mount FLMT = Flush Mount	SIP	O = Outdoor I = Indoor V = Vandal Resistant (Outdoor only) NB = No Button 2B = Two Buttons	Blank = Brushed Metal W = White Glossy (Interior only)	Relay

### WL-IC-2GANG-SIP-OV-R

Wahsega Labs  
 Intercom  
 2-Gang  
 SIP  
 Outdoor  
 Vandal Resistant  
 Brushed Metal  
 with Relay

### WL-IC-BKMT-SIP-OV-R

Wahsega Labs  
 Intercom  
 Back Mount  
 SIP  
 Outdoor  
 Vandal Resistant  
 Brushed Metal  
 with Relay

### WL-IC-FLMT-SIP-I-W-R

Wahsega Labs  
 Intercom  
 Flush Mount  
 SIP  
 Indoor  
 White  
 with Relay

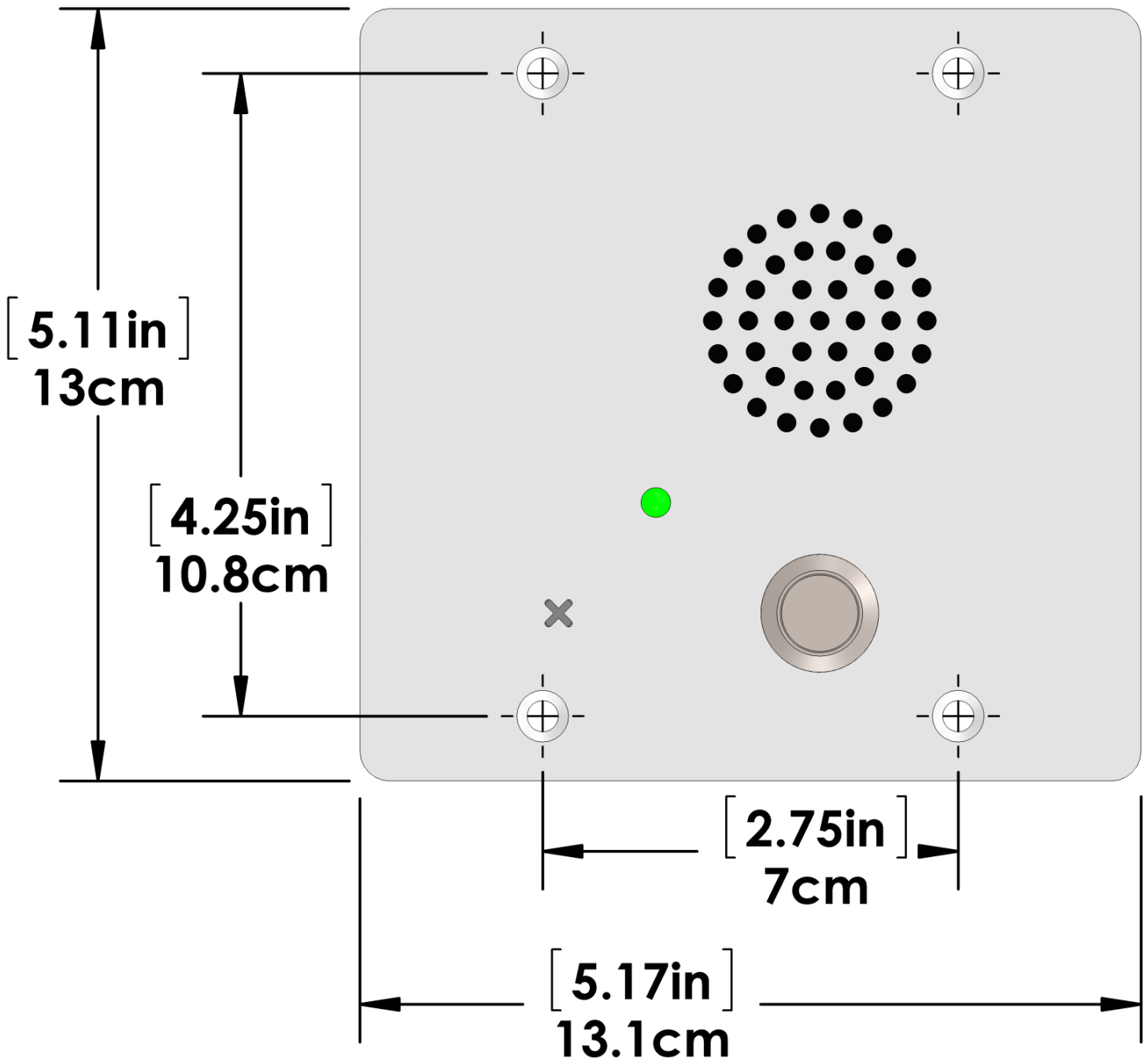
### Available Flush Mount SIP Access Control Intercom with Relay Model Numbers:

- WL-IC-FLMT-SIP-I-W-R**
- WL-IC-FLMT-SIP-INB-W-R**
- WL-IC-FLMT-SIP-I2B-W-R**

Job Name:  Model Numbers:  Date:

Location:  Notes:

## Dimensions



WL-IC-FLMT-SIP-I-W-R

Front view  
(to scale)

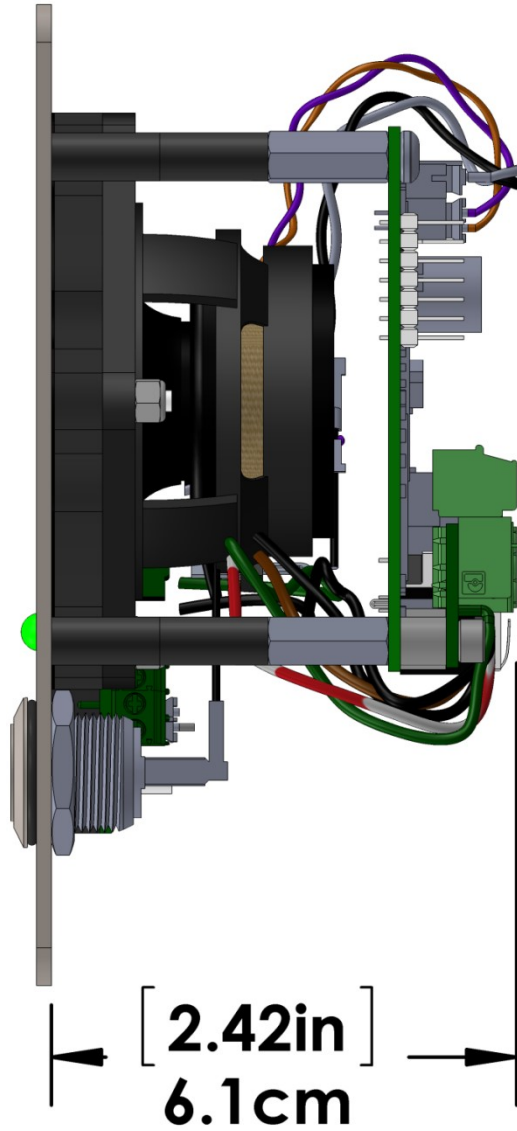
Job Name:

Model Numbers:

Date:

Location:

Notes:



WL-IC-FLMT-SIP-I-W-R  
Side view  
(to scale)

Job Name:

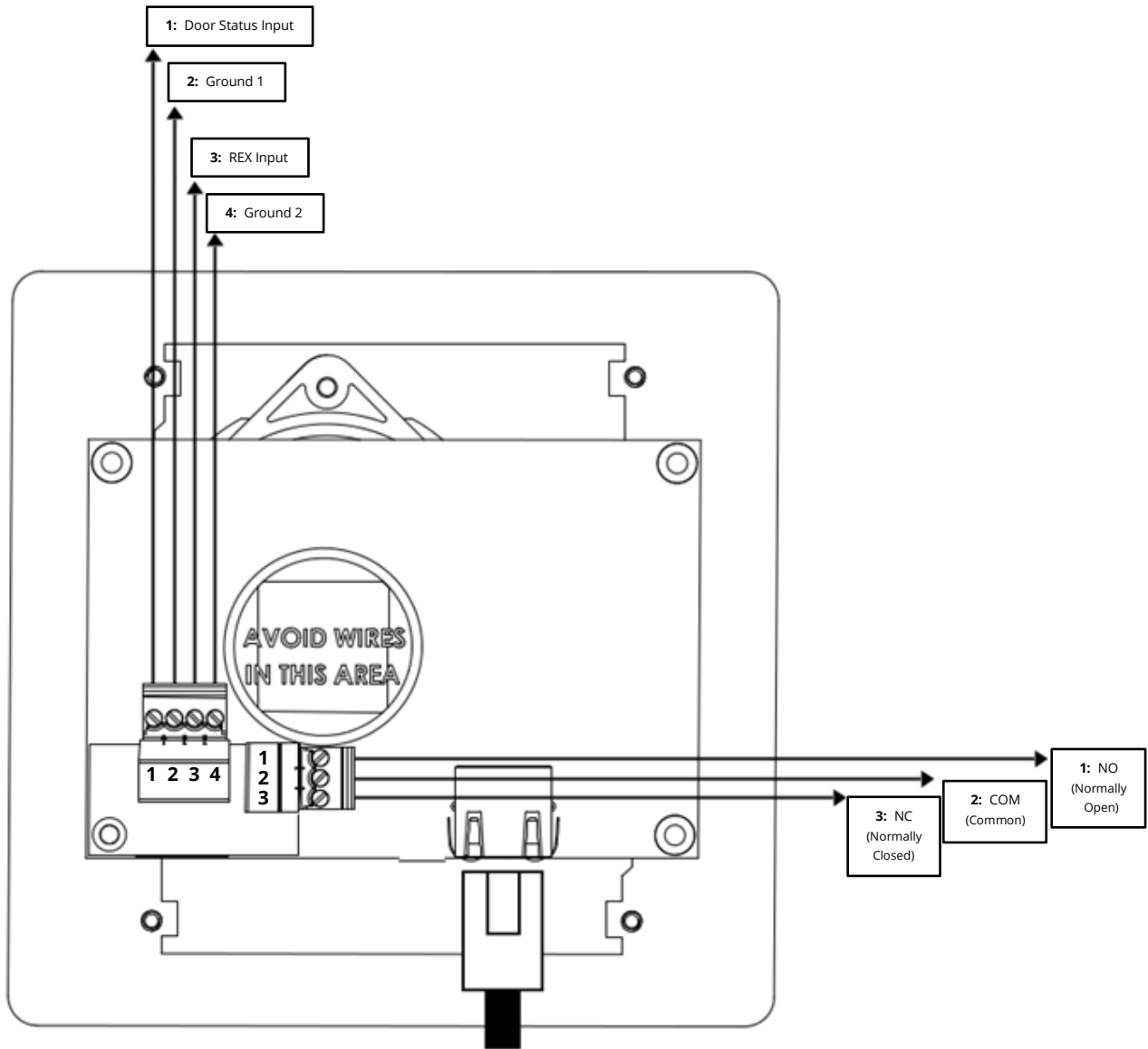
Model Numbers:

Date:

Location:

Notes:

## Class 2 (PELV) Terminal Connections



**NOTE:** Ethernet cable can ONLY be installed in the orientation shown.

Job Name:

Model Numbers:

Date:

Location:

Notes:

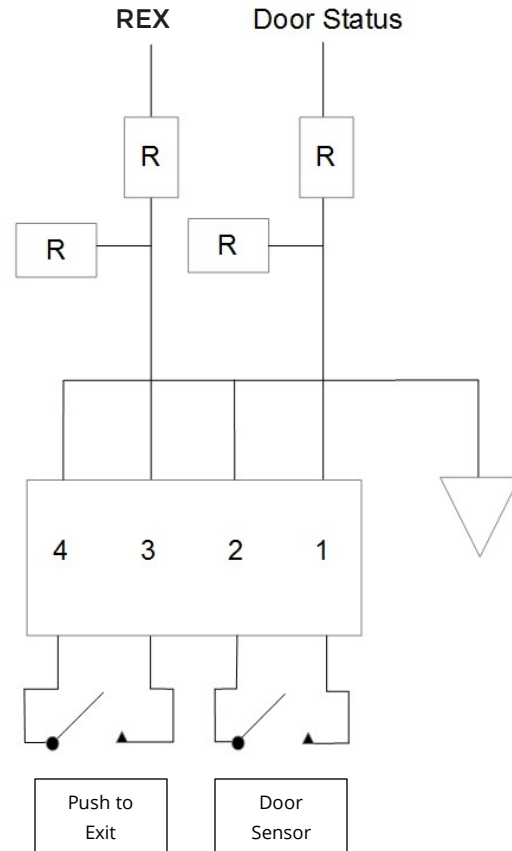
## Door Status Monitor & Request to Exit (REX) Button Wiring

**Pin 1:** Door status monitor line.  
Wired as ground/open button or switch.  
Connect to NO of an SPDT.

**Pin 2:** Door status ground reference pin.  
Connect to Common.

**Pin 3:** REX button and/or motion exit sensor.  
Can be wired as ground/open button or switch. Connect to the NO of an SPDT.

**Pin 4:** REX ground reference pin.  
Connect to Common.



**NOTE:** The REX input can be wired in parallel with an REX button and an exit motion sensor. Both REX and door status inputs go to Normally Open (NO) connections on corresponding devices.

Job Name:

Model Numbers:

Date:

Location:

Notes: